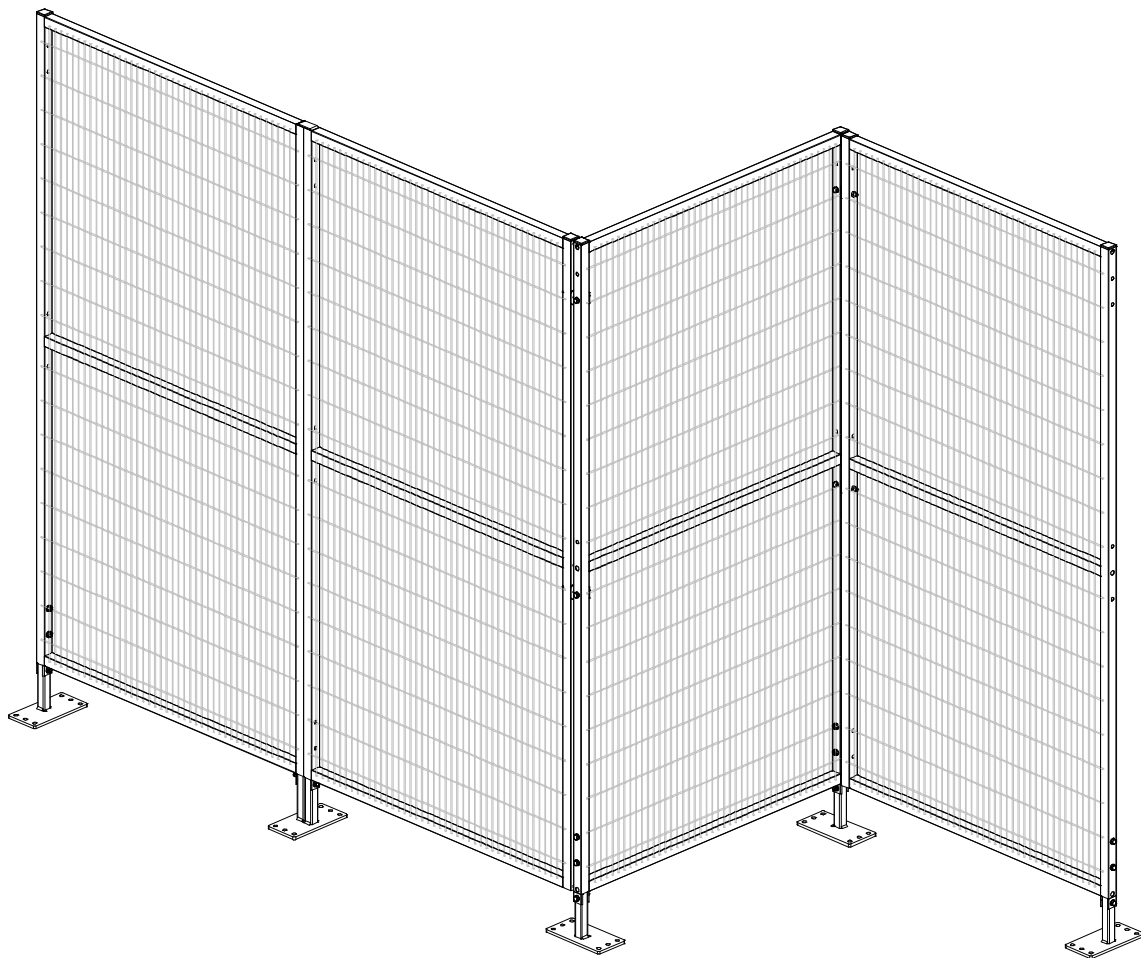
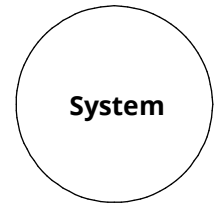


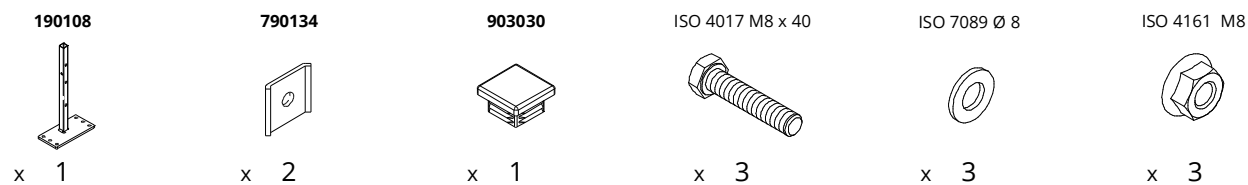
FastGuard 30
LAYOUT ASSEMBLY H ≤ 2040



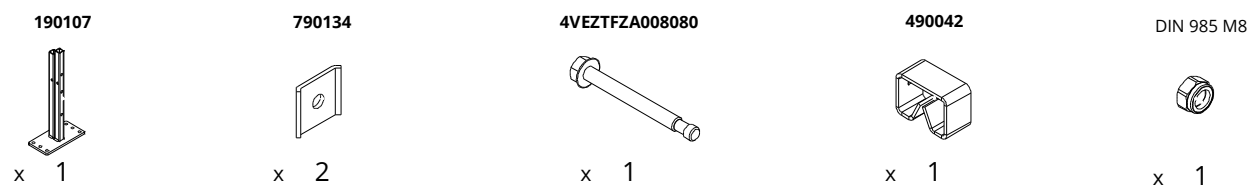
FastGuard 30

LAYOUT ASSEMBLY $H \leq 2040$

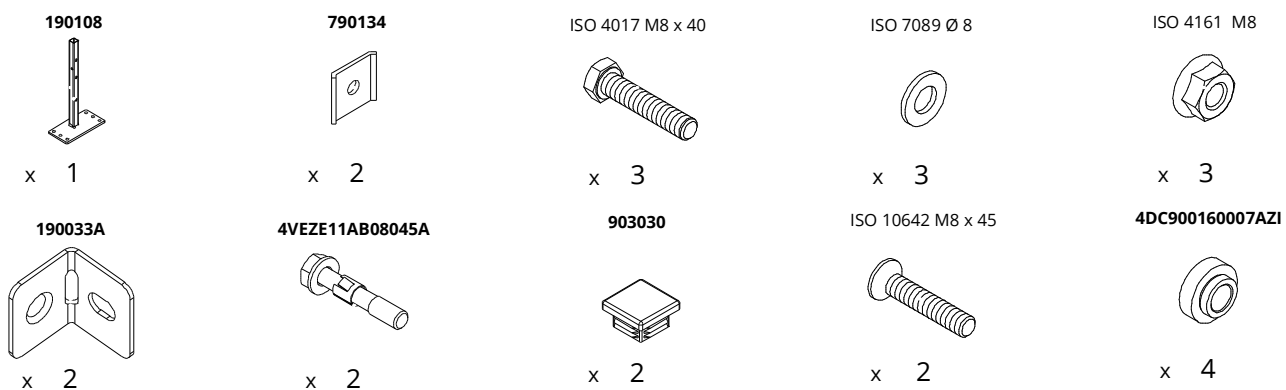
TERMINAL



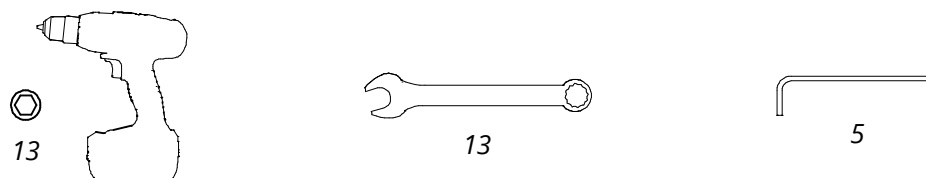
LINEAR



90° CONVEX / CONCAVE ANGLE

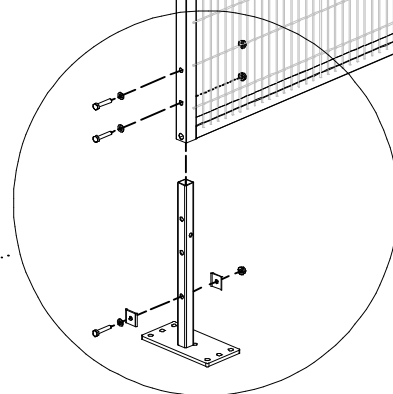
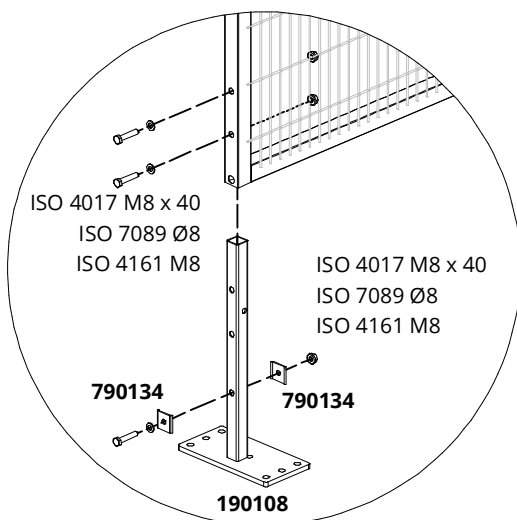
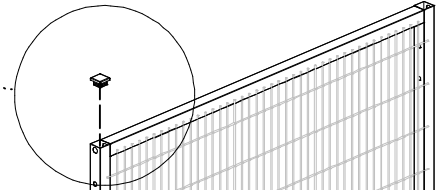
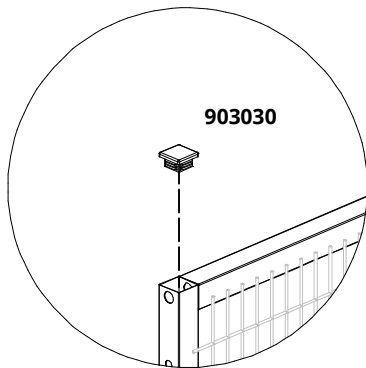


TOOLS



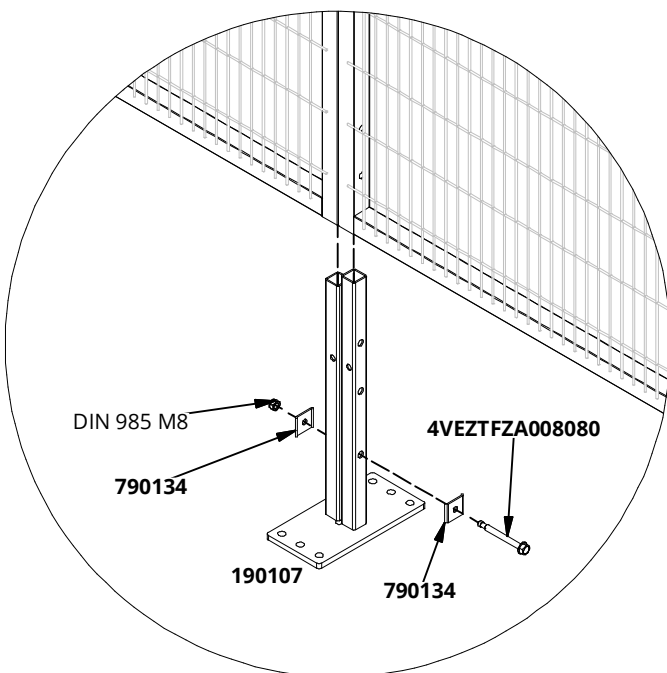
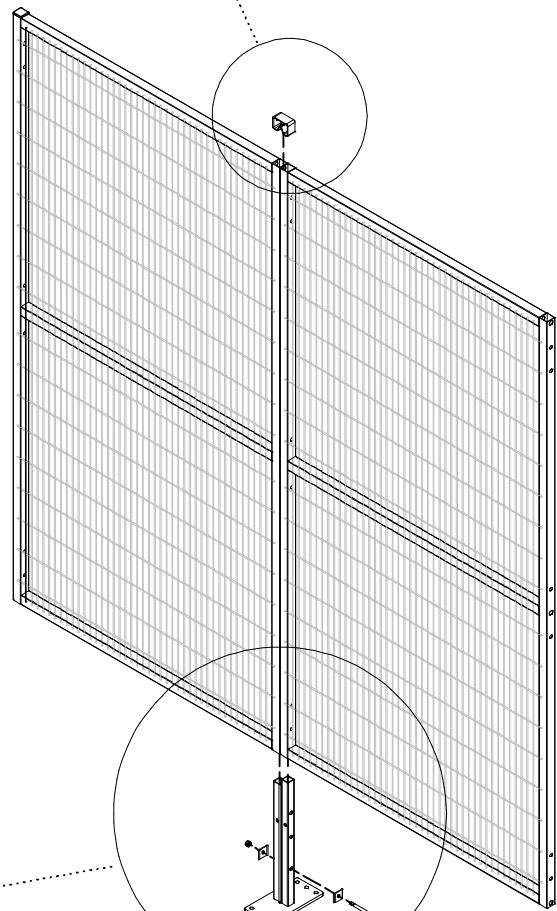
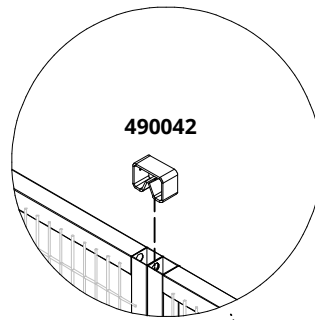
FastGuard30
LAYOUT ASSEMBLY $H \leq 2040$

TERMINAL



FastGuard 30
LAYOUT ASSEMBLY $H \leq 2040$

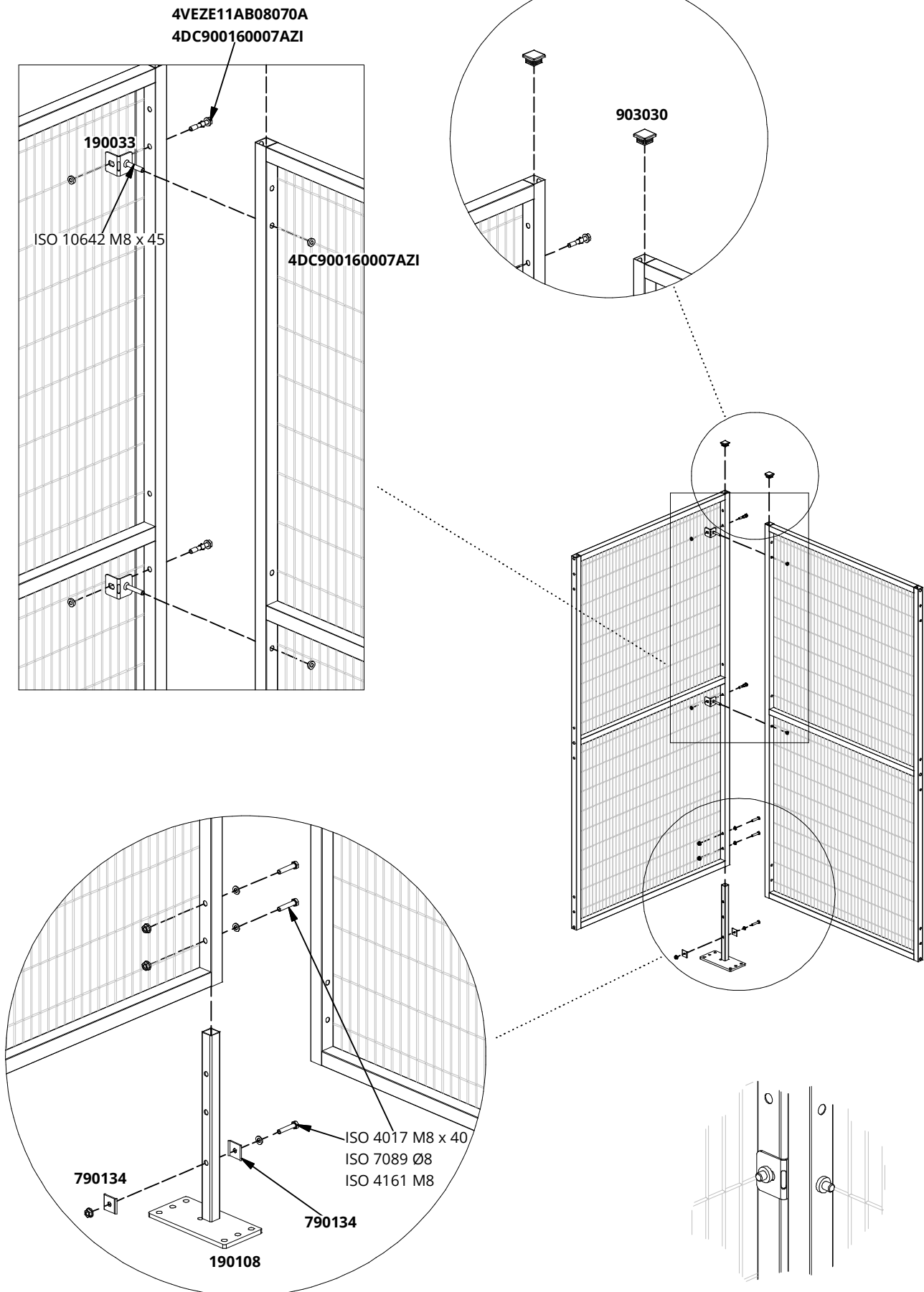
LINEAR



FastGuard 30

LAYOUT ASSEMBLY $H \leq 2040$

90° CONVEX ANGLE



FastGuard 30

LAYOUT ASSEMBLY $H \leq 2040$

90° CONCAVE ANGLE

4VEZE11AB08070A
4DC900160007AZI

ISO 10642 M8 x 45
4DC900160007AZI

190033

903030

